



## Description

The Redington Model 34 LCD Totalizer/Preset Counter provides a large display, with 0.28" [7mm] high characters, in industry size housings. The Model 34 counts and displays the number of pulses that appear at its input terminal at a rate of 40 pulses per second (Hz). The input interface handles AC or DC inputs. The Totalizers are available in 5 different housings. All models are totally sealed and are capable of submersion in 6' [2 meters] of water. A wide operating voltage, 10-300VDC and 20-300VAC, makes the model 34 versatile for all indoor and outdoor applications. All models are NEMA 4/4X, 12, & IP66 rated when used with the optional gasket and have a polarized lens which assures high visibility in an outdoor environment.

Maintenance Meters are offered with a maximum of 3 preset "Redi-Alert's" icons to alert users when service intervals are due or other periodic timed events are due. Models are available with front panel field or factory programmable alerts. Not only does the display flash to get attention, but it displays a choice of 7 different .08" [2mm] maintenance icons. Users can program or specify the count/service interval and flash duration for each Redi-Alert. Flash duration is the amount of time in hours that the specific icon flashes before and after the specified total count. If a front panel manual reset of the Redi-Alert is required, the front panel models with switches must be specified.

## Features

- Totally sealed from moisture and dirt
- AC or DC voltage input in the same unit
- Compact depth
- Fits in existing panel openings
- Always on display

## Options

- A choice of reset modes
- Front panel programmable Preset
- Preset count value
- Up to 3 Redi-Alerts/7 icons
- A choice of 5 housings

## Specifications

<b>Display:</b>	LCD with large 0.28" [7mm] high figures black on light background	<b>Environmental:</b>	Temperature: (Storage and Operating) -40 to +185°F [-40 to +85°C] Humidity: 95% RH per SAE J1378 Vibration: 20g @ 10 to 80 Hz per SAE J1378 Shock: 44 to 55g's per SAE J1378 Dielectric: 1000VAC 50/60 Hz for 1 minute Compliance: Compliant to the European WEEE and RoHS Directives
<b>Annunciators:</b>	LCD 0.08" [2mm]	<b>Sealing:</b>	Totally sealed
<b>Reset:</b>	Remote, manual and non-reset	<b>EMC Compliance:</b>	EN61326:1997 with A1:1998 and A2:2001 for industrial environments
<b>Accuracy:</b>	100% [provided signal meets stated parameters]	<b>Enclosure:</b>	Totally sealed from moisture and dirt, NEMA 4/4X, 12, & IP66 compliant from the front when properly mounted using the optional gasket. (Not applicable to Snap-In Model)
<b>Displays:</b>	8 digits (99999999)	<b>Approvals:</b>	UL and cUL Recognized (file # ELIY2.E36690), CE, SAE, NEMA 4/4X/IP66 compliant
<b>Maximum pulse rate:</b>	40 pulses per second (Hz)	<b>Weight:</b>	1oz [28g]
<b>Inputs:</b>	10-300VDC and 20-300VAC - 50/60Hz <2mA VIH 20VAC or 10VDC minimum VIL 3VAC or 3VDC maximum		
<b>Power:</b>	Self powered - battery life 15+ years		
<b>Terminations:</b>	Standard 0.250" [6.4mm] spades		

## Functions

**Front Panel Switch Functions:** Front panel switches can be used for reset, display selection and programming. The two front switches are used as follows:

**SEL:** During programming this switch is used to select options and to move horizontally in the programming chart.

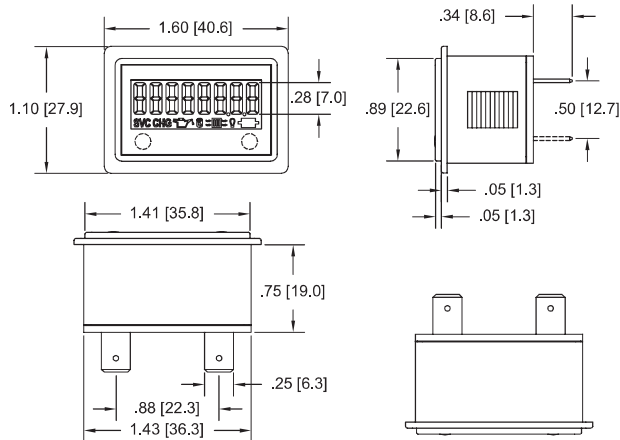
**RST:** This is the reset switch during normal operation. During programming this switch is used to select options and to move vertically in the programming chart.

## Available Icons



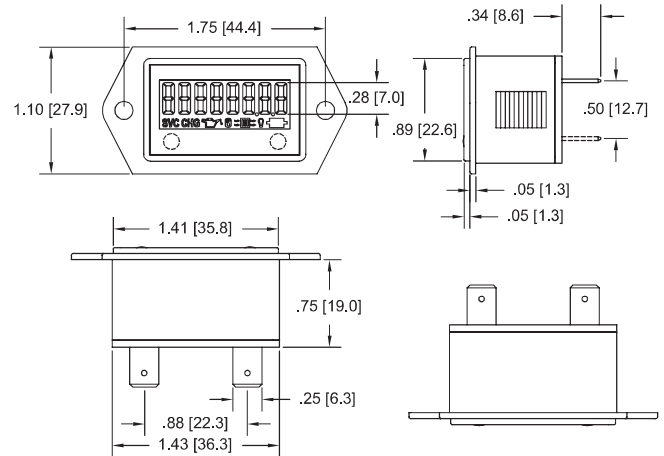
## Dimensions

### Rectangular Flush Mount



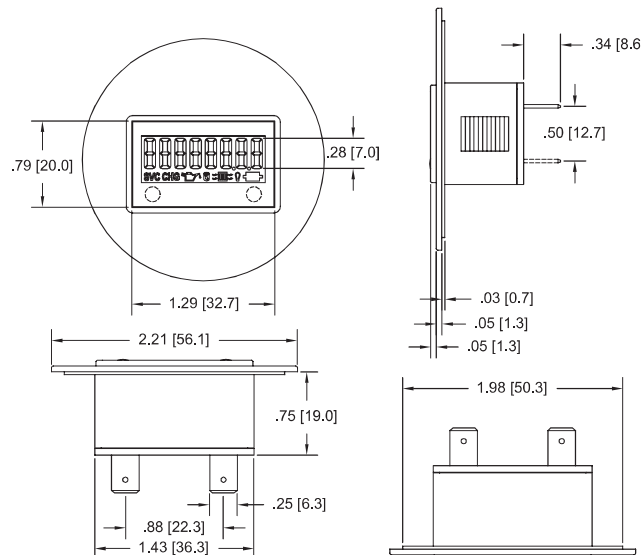
**Panel Cutout:** 1.45" [36.8mm] x 0.95" [24.1mm]  
**Maximum Panel Thickness:** 0.375" [9.5mm]

### 2-Hole Mount



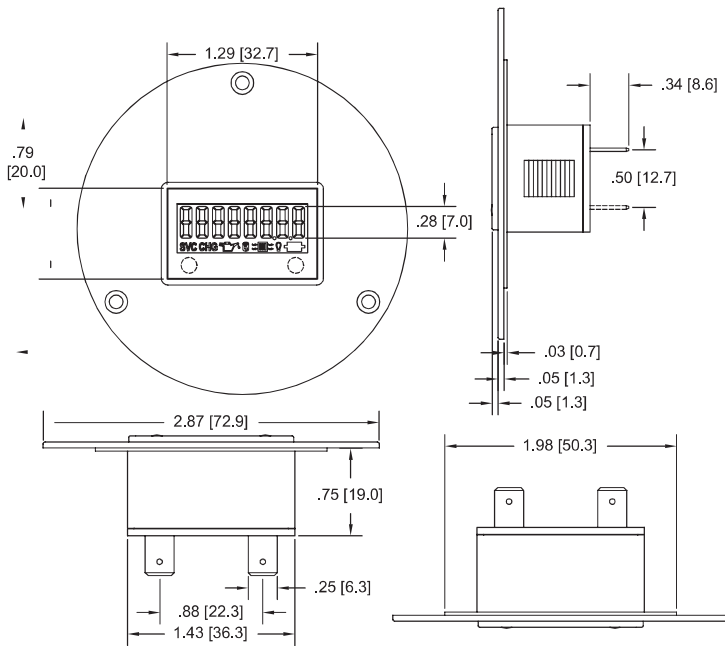
**Panel Cutout:** 1.45" [36.8mm] x 0.95" [24.1mm]

### Round Flush Mount



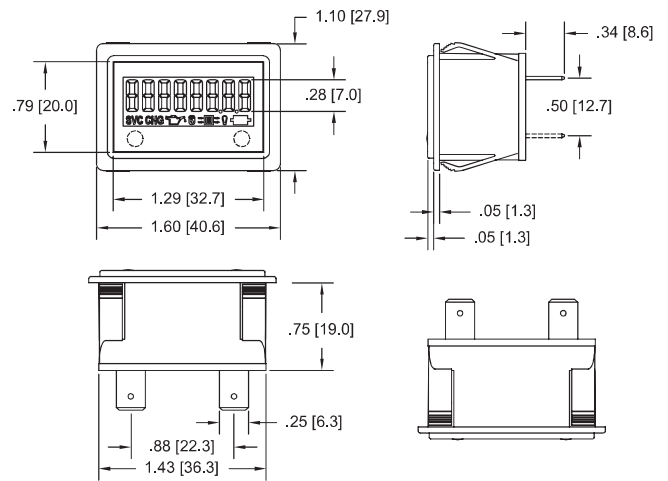
**Panel Cutout:** 1.45" [36.8mm] x 0.95" [24.1mm]  
**Maximum Panel Thickness:** 0.375" [9.5mm]

**3-Hole Mount**



**Panel Cutout: 1.45" [36.8mm] x 0.95" [24.1mm]**

**Snap-In Mount**



**Panel Cutout: 1.46" [37mm] x 0.95" [24.1mm]**  
**Minimum Panel Thickness: 0.04" [1.0mm]**  
**Maximum Panel Thickness: 0.125" [3.18mm]**

**Notes**

When int

Exceedin rferencing the Model 34 with a Solid State Relay or AC Sensor, the leakage current needs to be considered.

g the Absolute Voltage Range and the Absolute Maximum Limits may result in damage to the unit.

**Applicat**

1 Medical

**ions**

Devices

Test Equipment

Control Panels

Production Equipment

Office Equipment

Secondary Equipment



Part Number	Description	Gasket
3400-0000	AC/DC COUNTER 2-HOLE CASE 1/4" SPADE TERMINAL NON-RESET	5003-010
3400-0010	AC/DC COUNTER 2-HOLE CASE 1/4" SPADE TERMINAL REMOTE-RESET	5003-010
3400-1000	AC/DC COUNTER THREE HOLE CASE 1/4" SPADE TERMINALS NON-RESET	5003-017
3400-1010	AC/DC COUNTER THREE HOLE CASE 1/4" SPADE TERMINALS REMOTE-RESET **SPECIAL ORDER** MOQ = 50 PCS	5003-017
3400-2000	AC/DC COUNTER FLUSH RECT CASE 1/4" SPADE TERMINALS NON-RESET **SPECIAL ORDER** MOQ = 50 PCS	5003-009
3400-2010	AC/DC COUNTER FLUSH RECT CASE 1/4" SPADE TERMINALS REMOTE-RESET	5003-009
3400-3000	AC/DC COUNTER ROUND SAE CASE 1/4" SPADE TERMINALS NON-RESET **SPECIAL ORDER** MOQ = 50 PCS	5003-009
3400-3010	AC/DC COUNTER ROUND SAE CASE 1/4" SPADE TERMINALS REMOTE-RESET	5003-009
3400-5000	AC/DC COUNTER SNAP-IN CASE 1/4" SPADE TERMINALS NON-RESET	
<b>NOTE</b>	<b>PART NUMBERS MUST END IN -XX20 TO BE PROGRAMMABLE</b>	
5003-010	NEMA 4X GASKET TWO HOLE MOUNT	
5003-017	NEMA 4X GASKET THREE HOLE MOUNT	
5003-009	NEMA 4X GASKET FLUSH RECT MOUNT	
5003-009	NEMA 4X GASKET SAE ROUND MOUNT	